

Standard 12.5 Gallon Capacity

Dimensions: 30" H x 24" W x 12" D

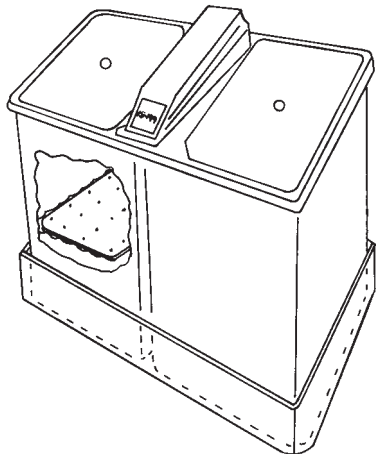
## Spill Tray

The IS-199 Spill Tray conveniently fits under the IS-199 Chemical Mixer to provide *secondary containment* for potential leaks or spills.

26" L x 18" W x 5" H

**Catalogue #1923**

**List Price:** \$50.00



## IS-199

**Versatile Chemical Mixer for use with:**

- X-ray
- Graphic Arts
- Photo Products
- One Year Warranty on all Parts

**BROCHURE AVAILABLE**



Space Saver 7.5 Gallon Capacity

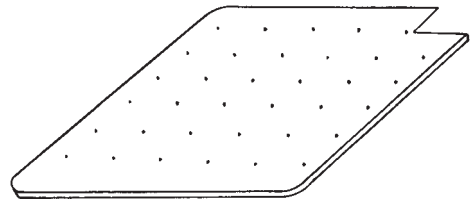
Dimensions: 21" H x 24" W x 12" D

## Floating Lid

The IS-199 Floating Lid is designed to extend developer life by reducing aerial oxidation. The IS-199 Floating Lid is especially useful in low volume situations where premature oxidation may occur.

**Catalogue #1924**

**List Price:** \$22.50



**BROCHURE AVAILABLE**



## Technical Specifications

The IS-199 incorporates a unique combination of features which make it the Mixer of Choice for both the user and the serviceman.

The Specific Gravity Mixing System allows the user to start a mix anytime. The mixer responds to the addition of concentrated chemicals and adds the correct amount of water automatically.

## Features

- Specific Gravity Mixing System – The Ultimate in Convenience and Accuracy
- Rugged Field Tested Components Assure Reliability
- 24 Volt Operation – Uses NO Circuit Boards
- Audible and Visible Low Level Warning Systems
- Easy-to-Service Design
- UL/CSA Approved External Power Supply

All Electronic Components have been chosen for dependability. Straight-forward circuit designs eliminate the need for circuit boards thereby increasing reliability.

The Low Level Warning System indicates that solution level is 2.0 gallons or less. The warning system resets automatically when the user begins a 5 or 10 gallon mix.

## Specifications

- 120 Volts AC
- Dimensions:
  - Standard Model – 30" H x 24" W x 12" D
  - Space Saver – 21" H x 24" W x 12" D
- Capacity:
  - Standard Model – 12.5 Gallons, Developer & Fixer
  - Space Saver – 7.5 Gallons, Developer & Fixer
- Operating Range: 18-125 p.s.i. Water Pressure

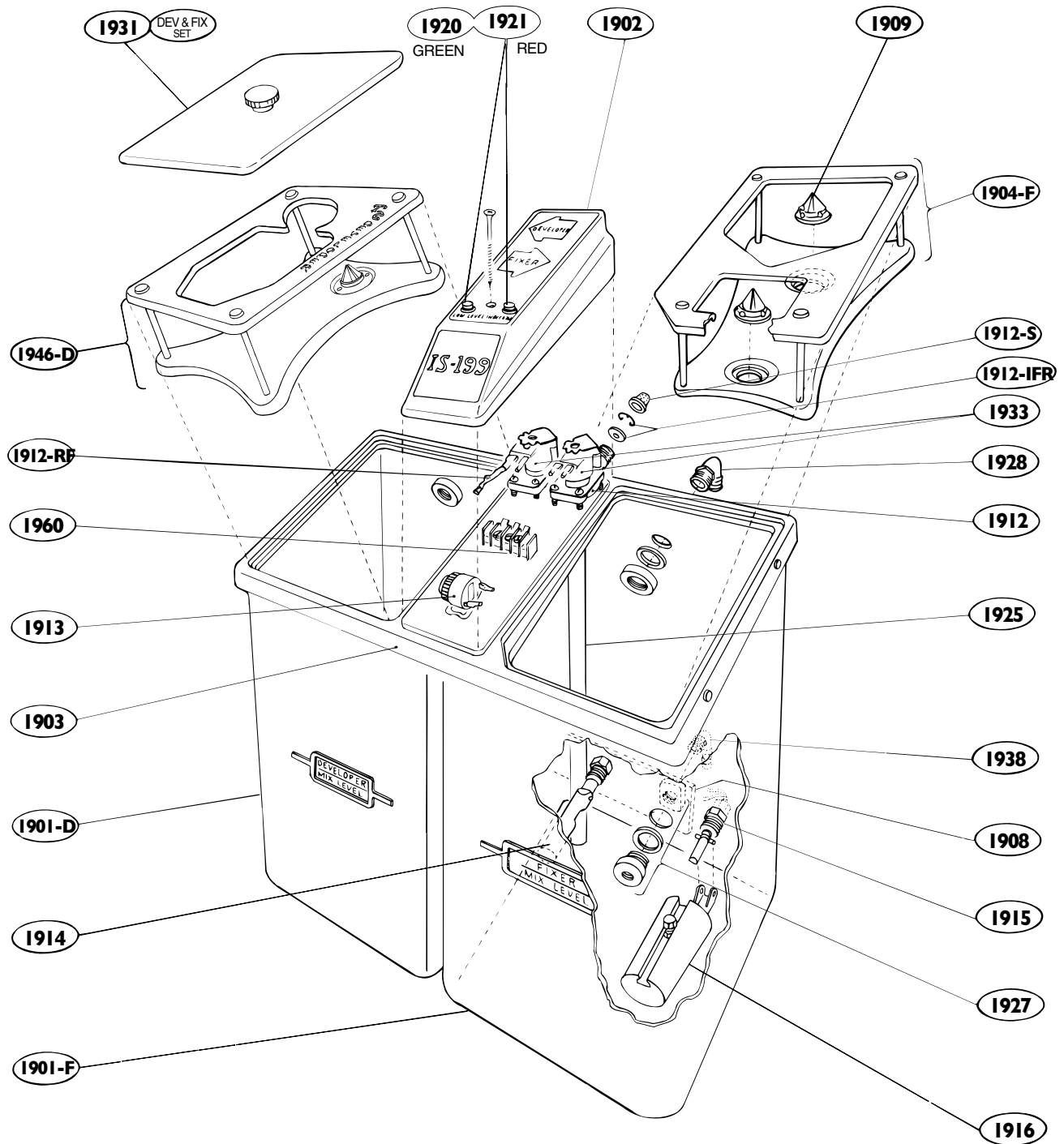
**BROCHURE AVAILABLE**

## IS-199 Standard Configurations (other configurations available)

CAT. #	DESCRIPTION	CHEMISTRY TYPE	LIST
19945 19946-SS	Standard 12.5 Gal. Space Saver 7.5 Gal.	T <sub>2</sub> Developer/T <sub>2</sub> Fixer T <sub>2</sub> Developer/T <sub>2</sub> Fixer	\$890.00 890.00
19950 19951-SS	Standard 12.5 Gal. Space Saver 7.5 Gal.	Autex/Simon Dev. & Fix. Autex/Simon Dev. & Fix.	\$890.00 890.00
19952 19953-SS	Standard 12.5 Gal. Space Saver 7.5 Gal.	E.K. RP Dev./T <sub>2</sub> Fix. E.K. RP Dev./T <sub>2</sub> Fix.	\$890.00 890.00
19956 19957-SS	Standard 12.5 Gal. Space Saver 7.5 Gal.	E.K. RP Dev./RPLO Fix E.K. RP Dev./RPLO Fix	\$975.00 975.00
19960 19961-SS	Standard 12.5 Gal. Space Saver 7.5 Gal.	A.G. Dev./A.G. Fix. A.G. Dev./A.G. Fix.	\$975.00 975.00
19966 19967-SS	Non Standard 12.5 Gal. Space Saver 7.5 Gal.	Must specify requirements	\$975.00 975.00

**WMI can provide mixers for use with most chemistry. Many are not listed above. Please call for more information.**





# IS-199 Chemical Mixer Replacement Parts

PART NO.	DESCRIPTION	LIST PRICE
1901-D	Tank, P/E – Developer.....	\$72.00
1901-F	Tank, P/E – Fixer.....	72.00
1902	Component Cover .....	22.50
1903	Top Assembly .....	60.00
* 1904-D	Developer Template/Knife Assembly, Autex/Simon .....	150.00
* 1904-F	Fixer Template/Knife Assy., T2 Fixer, HR Simon Fix, Autex Fix ....	48.00
* 1906-D	Developer Template/Knife Assembly, Kodak, RP X-omat .....	150.00
* 1906-DEX2	Developer Template/Knife Assembly, Kodak, DEX2 .....	150.00
* 1906-F	Fixer Template/Knife Assembly, Kodak.....	150.00
* 1907-D	Developer Template/Knife Assembly, Agfa Medical .....	150.00
* 1907-F	Fixer Template/Knife Assembly, Agfa .....	150.00
1908	Retention Strap .....	9.00
1909	Knife – 38mm .....	3.50
1910	Knife – 28mm (special, <i>not shown</i> ) .....	4.50
1911	Transformer ( <i>not shown</i> ) .....	37.50
1911-EX	External Transformer ( <i>not shown</i> ) .....	45.00
1912	Valve – Solenoid 24 Volt w/Internal Flow Restrictor.....	52.45
1912-IFR	Internal Flow Restrictor & Retaining Ring.....	8.65
1912-RF	Resettable Fuse .....	6.00
1912-S	Inlet Screen for Catalogue #1912 .....	1.15
1913	Audible Alarm .....	42.35
1914	Switch, Low Level.....	37.50
1915	Switch, Specific Gravity.....	42.35
1916	Float, S.G. Adjustable.....	48.00
1918	Wiring Harness ( <i>not shown</i> ).....	15.00
1919	Power Cord ( <i>not shown</i> ).....	6.00
1920	Lamp – 24 Volt Green .....	6.00
1921	Lamp – 24 Volt Red.....	6.00
1922	Lamp – 24 Volt Blue ( <i>not shown</i> ) .....	6.00
1925	Water Inlet Pipe.....	4.50
1927	Replenisher Bulkhead, 3/8" .....	12.00
1928	Elbow – Overflow 1" w/Washer and Nut .....	6.75
1929	Hi-Pressure Y-Hose ( <i>not shown</i> ) .....	14.95
1931	Template Cover Set.....	25.00
1933	Solenoid Coil (only) .....	11.25
1935	Stanchion, Clips, SS Hex Nut ( <i>not shown</i> ).....	1.50
1938	3/8" NPT x 3/8" Hose, 90° Adapter .....	1.00
* 1944-D	Developer Template/Knife Assembly, WMI Cine.....	48.00
* 1946-D	Developer-Template/Knife Assembly, T2 Developer Unipack....	48.00
1960	Terminal Strip .....	6.00

**\*WMI can provide templates for most chemistry and mixer combinations.  
Many are not listed above. Please call for more information.**

